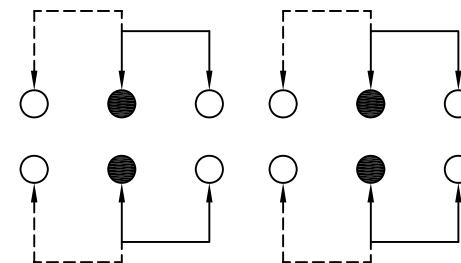
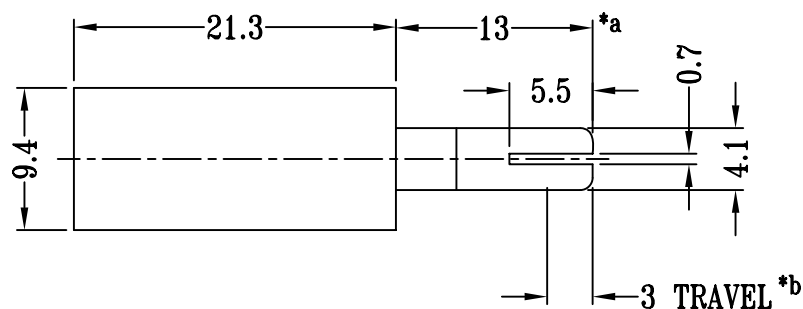
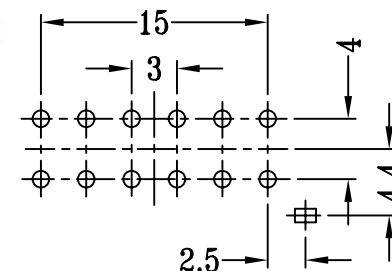
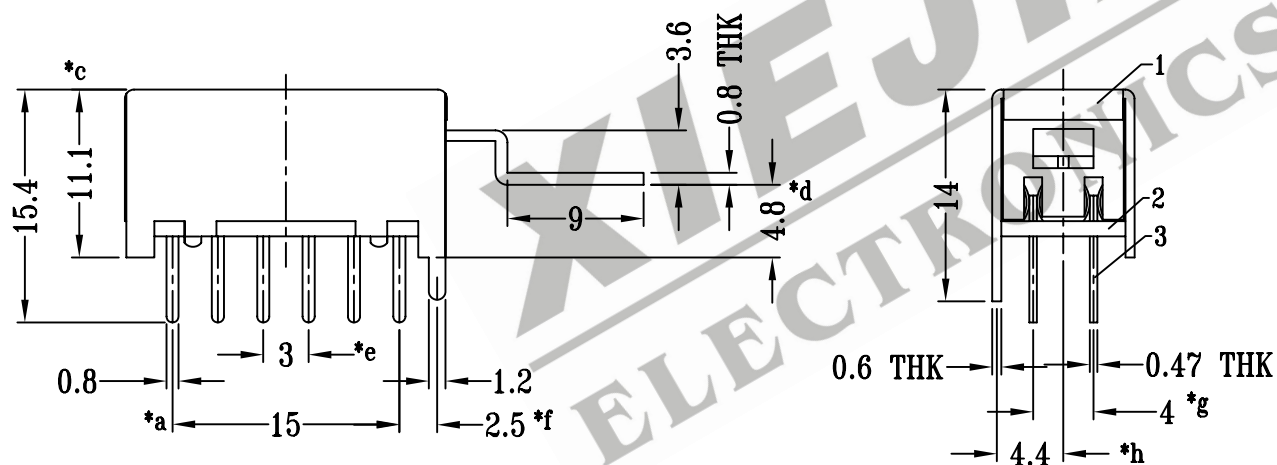


CAD FILE:



SCHEMATIC (NON-SHORTING)



P.C.B LAYOUT

注:带“\*”表示关键尺寸(7个)

NO.	PARTS	MATERIALS	Q'TY	FINISH	TOLERANCE UNLESS SPECIFIED	SHENZHEN XIEJIA ELECTRONICS CO.,LTD.				
8						TITLE : PUSH SWITCH	UNIT : mm	DRWG NO.: XJ-DR-PS42F03-00		
7	SPRING	STEEL WIRE	1	TEMPER	WITHIN: 1.5±0.1mm OVER : 1.5±0.2mm			SCALE: 2:1	DWN.	ZHOUYU
6	CONTACT CLIP	PBS STRIP	4	Ag PLATED			ISSUE	DATE	DESCRIPTIONS OF REVISION	APPD.
5	SLIDER	POM	1	BLACK						
4	STEEL KNOB	STEEL STRIP	1	Ni PLATED						
3	TERMINAL	BRASS STRIP	12	Ag PLATED OVER Ni PLATED						
2	BASE	PHENOLIC RESIN	1	NATURAL						
1	FRAME	STEEL STRIP	1	Ni PLATED						
					ALL MATERIALS MUST BE COMPLIANT TO ROHS			APPD.	KANGXINAN	2002-12-3